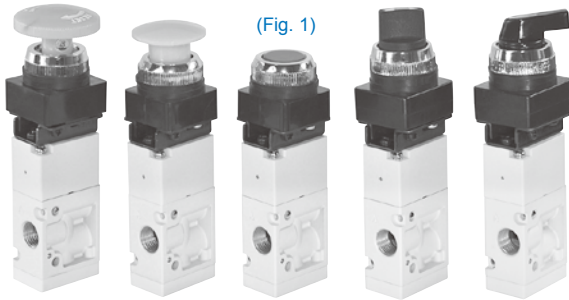


# MVMB-220-3\*\* series

MECHANICAL VALVE



(Fig. 1)

## Specification

Model	MVMB-220-3**
Bore No.	8A
Port size	Rc1/4
No. of port	3
No. of position	2
Medium	Air
Operating pressure range	0.15~0.8 MPa
Proof pressure	1 MPa
Effective orifice	18 mm <sup>2</sup>
Ambient temperature	-5~+60°C (No freezing)
Weight	210 g

Actuator-holder (Fig. 2)



- Type  $\phi 22$ , the body and actuator-holder in (Fig. 2).
- Type  $\phi 22$  can set or release button by simply switching actuator-holder.
- Type  $\phi 25$ ,  $\phi 30$  fix bracket in (Fig. 1).
- Type  $\phi 25$ ,  $\phi 30$  Actuator set or released by screwdriver.
- If choose type 3B1-22, it need an extra order of Actuator-holder when a button is needed.

## Order example

MVMB — 220 — 3EB — 25R — G

MODEL

BODY WIDTH

3: 3way (3 port)

BUTTON SIZE

22:  $\phi 22$   
25:  $\phi 25$   
30:  $\phi 30$

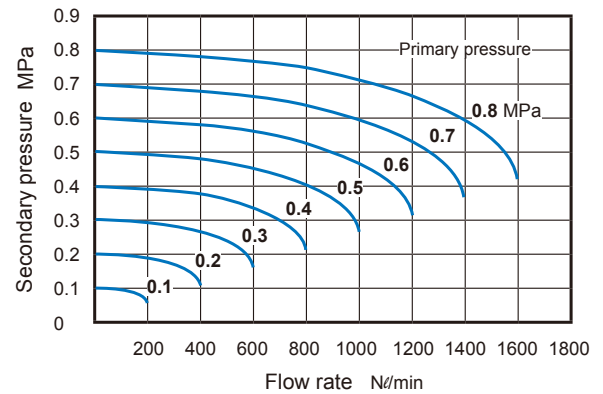
PORT THREAD  
Blank: Rc thread  
G: G thread  
NPT: NPT thread

B1: Body (without button)  
EB: Latching palm button  
LB: Extended twist button  
TB: Twist button  
PB: Mushroom palm button  
PP: Push button

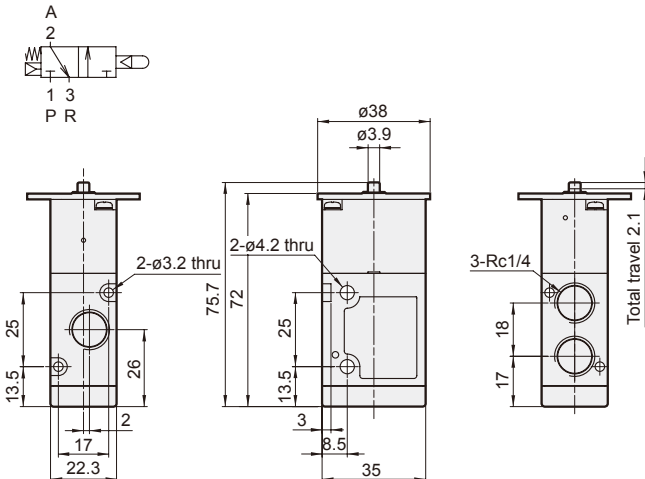
### BUTTON COLOR

Color	Type
—	B1 type
G: Green	EB type
R: Red	
B: Black	LB type TB type
B: Black	PB type PP type
G: Green	
R: Red	

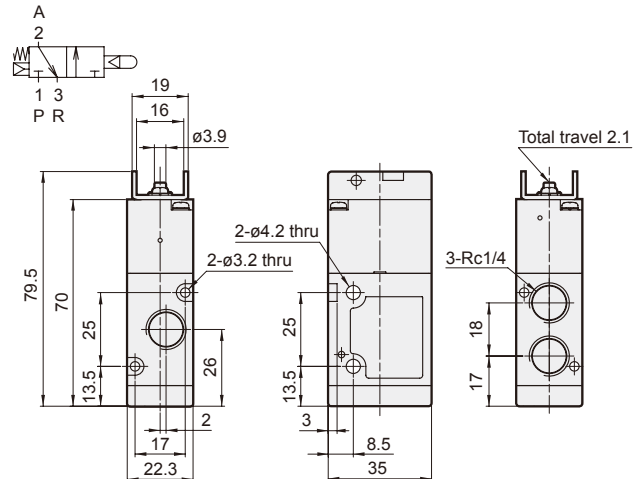
## Flow features



### 3B1-22



### 3B1-25/30

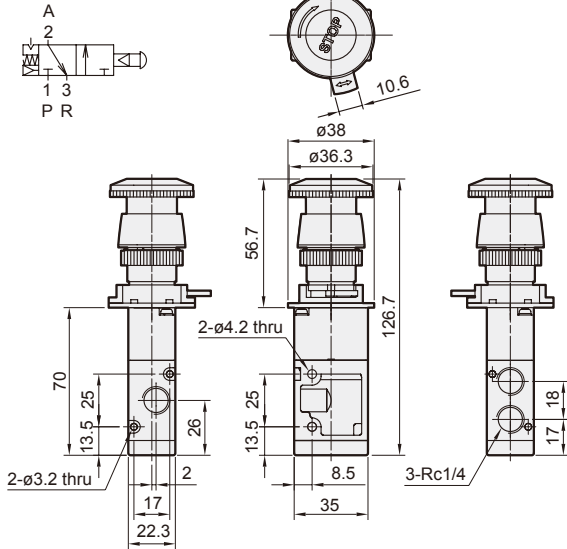


# MVMB-220-3\*\* Dimensions

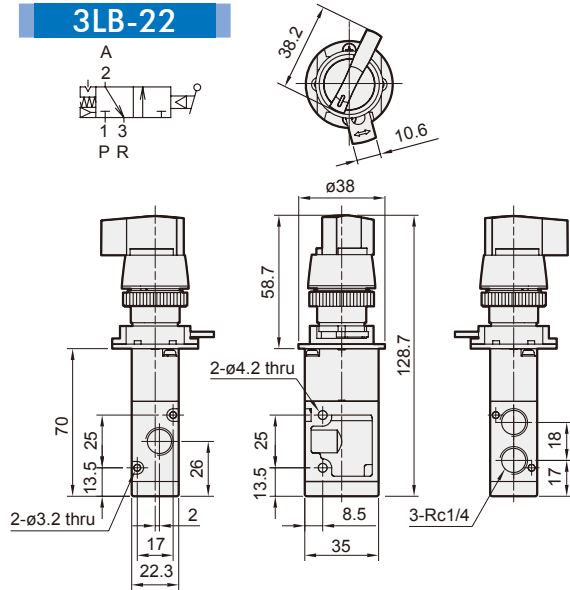
## MECHANICAL VALVE



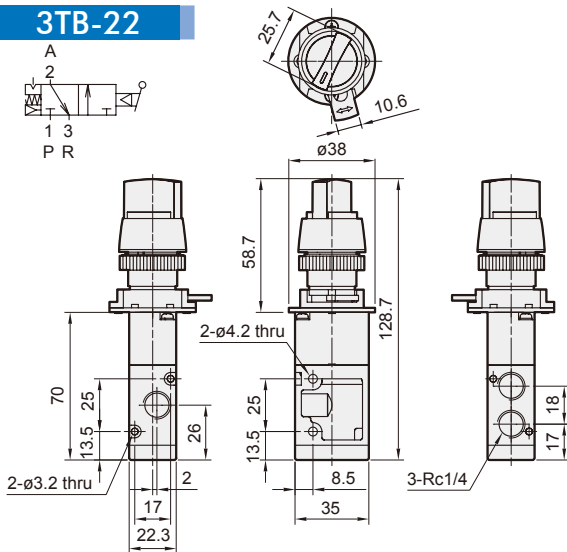
### 3EB-22



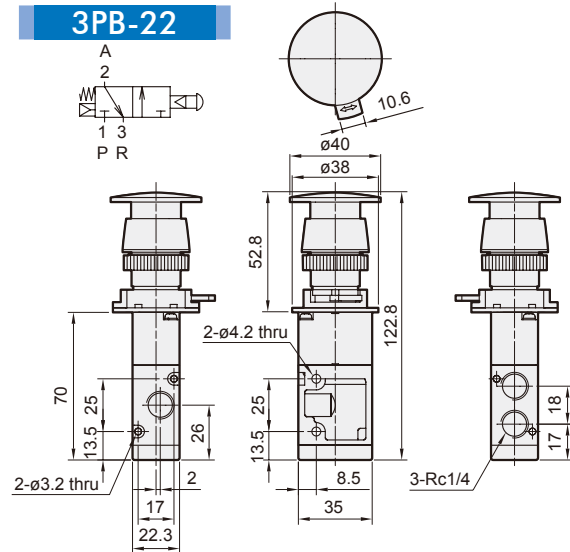
### 3LB-22



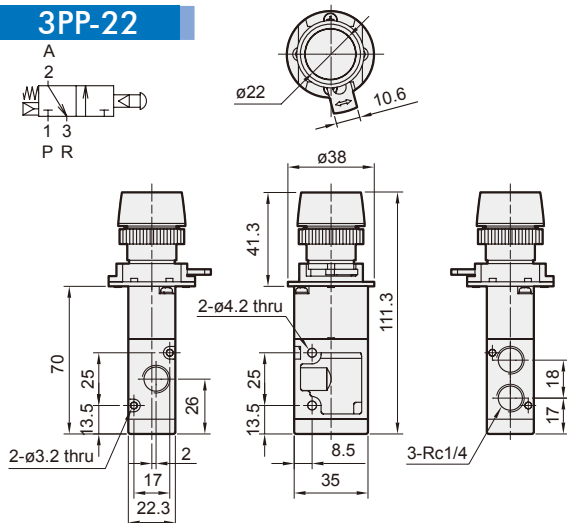
### 3TB-22



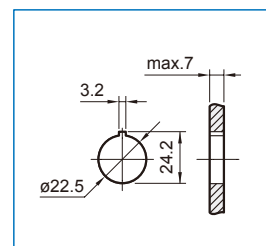
### 3PB-22



### 3PP-22



### Panel mounting hole

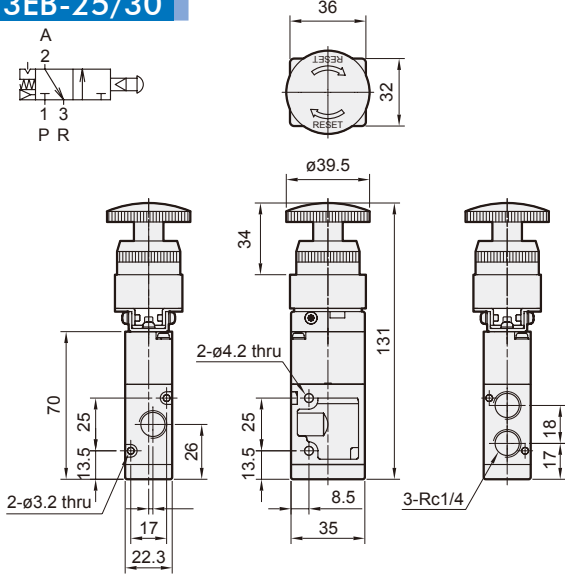


# MVMB-220-3\*\* Dimensions

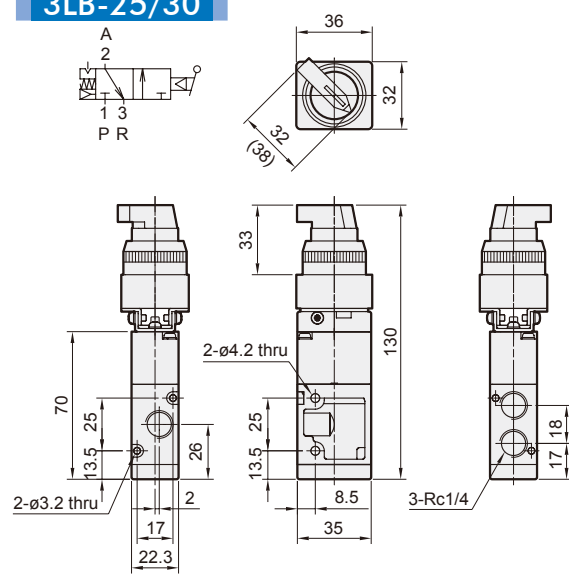
## MECHANICAL VALVE



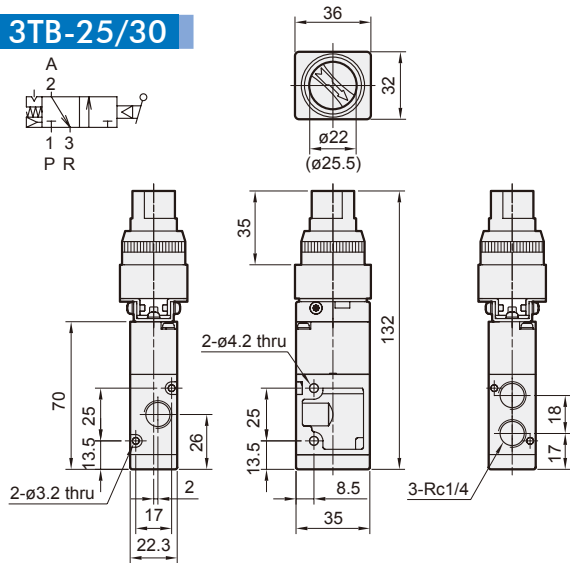
### 3EB-25/30



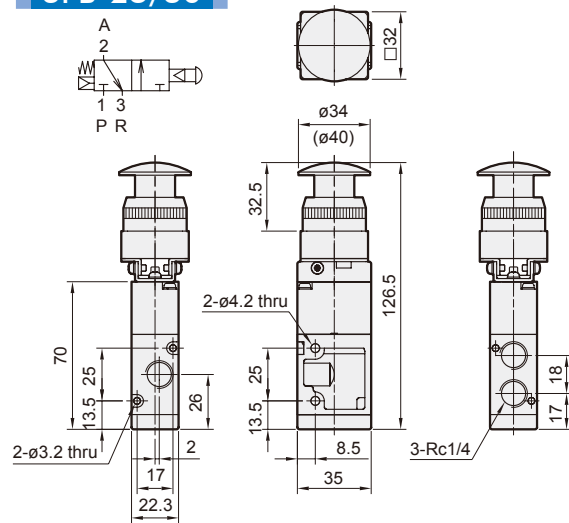
### 3LB-25/30



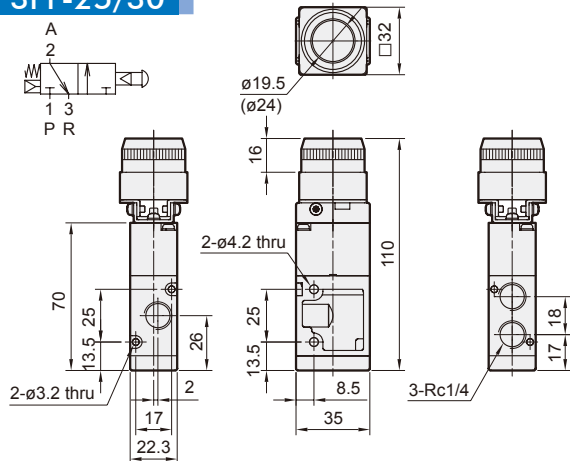
### 3TB-25/30



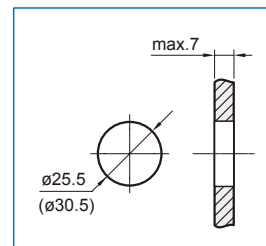
### 3PB-25/30



### 3PP-25/30



### Panel mounting hole



( ): Dimension for button size  $\phi 30$ .