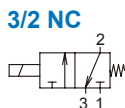
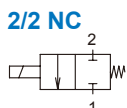
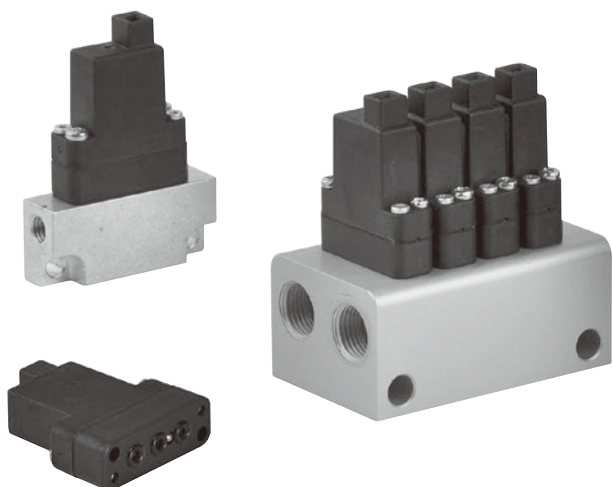


MVDA-80 series



DIRECT ACTING TYPE COMPACT SOLENOID VALVE

mindman



Features

- Response time < 1ms (KK type).
- Product life: 500 million switching cycles.
- Ultra response frequency: 500Hz.

Specification

Model	2E1-KK-A	3E1-KK	3E1-DC24
No. of port	2	3	
No. of position	2		
Medium	Dry air, inert gas		
Operating pressure range	0~1.2 MPa	0~0.8 MPa	
Flow rate (N l/min)	25 ± 10%	28 ± 10%	28 ± 10%
Response time (ms)	ON	0.7 ± 0.5	2.0 ± 0.5
	OFF	1 ± 0.2	0.6 ± 0.2
Operating fluid temp.	-10~+50°C		
Ambient temperature	-10~+50°C		
Storage temperature	-10~+50°C		
Voltage	Speed-up: DC24V, Hold: DC5V		DC24V
Power consumption	0.8 W (Hold)	0.5 W (Hold)	1.2 W
Filter element	40 µm		
Lubrication	No required		
Max. operating frequency	500 Hz (at 250Hz with driver board)		200 Hz
IP protection class	IP52		
Weight	8 g		

Order example of valve

MVDA – 80 – 3E1 – NC – DC24 – C – A – M3

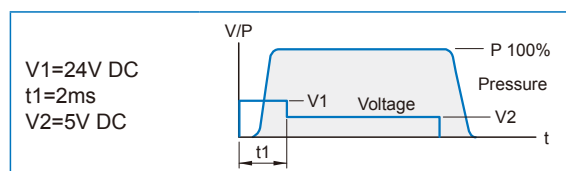
MODEL	BODY WIDTH	Port	Voltage	Wire	Pressure	SYMBOL OF ASSEMBLY	
2E1-NC:	2 way (2 port)	2E1-NC:	KK: DC24V / DC5V (Speed-up in tension) Speed-up: DC24V, hold: DC5V	C: Without driver board S: With driver board (24/5V Signal converter)	A: High pressure (0~1.2 MPa)	B1: Assembly (Base+Valve)	M3: 2,3,4...Manifold number Assembly (Manifold+Valve)
3E1-NC:	3 way (3 port)	3E1-NC:	DC24: DC24V KK: DC24V / DC5V (Speed-up in tension) Speed-up: DC24V, hold: DC5V	C: Without driver board S: With driver board (24/5V Signal converter)	Blank: General pressure (0~0.8 MPa)	B1: Assembly (Base+Valve)	M3: 2,3,4...Manifold number Assembly (Manifold+Valve)

Order example of base

MVDA – 80 – 3B1

MODEL	BASE
3B1	2B: 2 port base
	3B: 3 port base

KK type electrical control

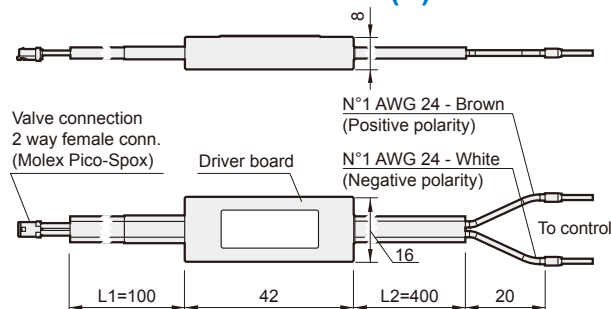


Order example of manifold

MVDA – 80 – 3M2

MODEL	MANIFOLD	MANIFOLD NUMBER
3M2	2M: 2 port	2, 3, 4...
	3M: 3 port	

The wire with driver board (S) dimensions

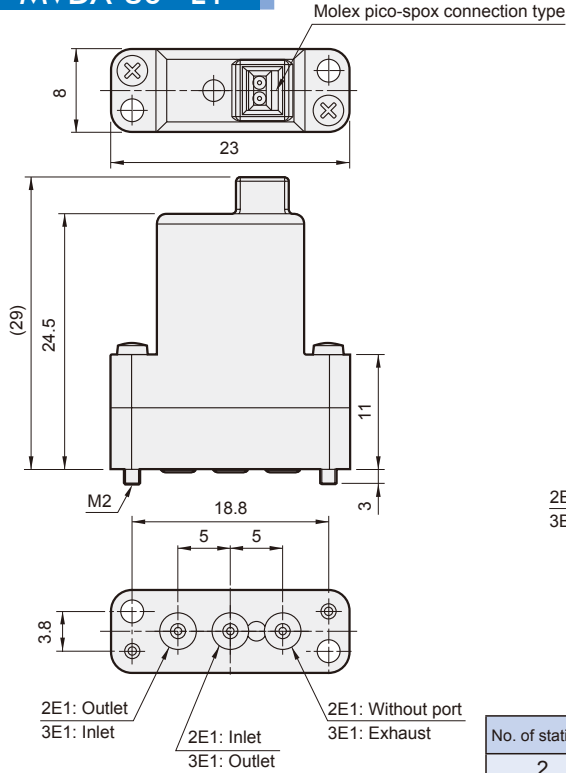


MVDA-80 Dimensions / Base / Manifold

DIRECT ACTING TYPE COMPACT SOLENOID VALVE

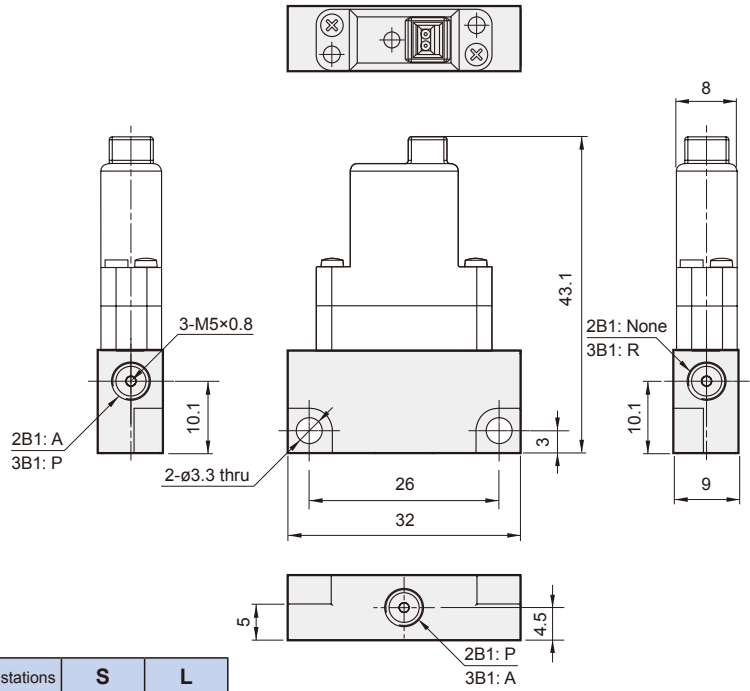


MVDA-80-*E1



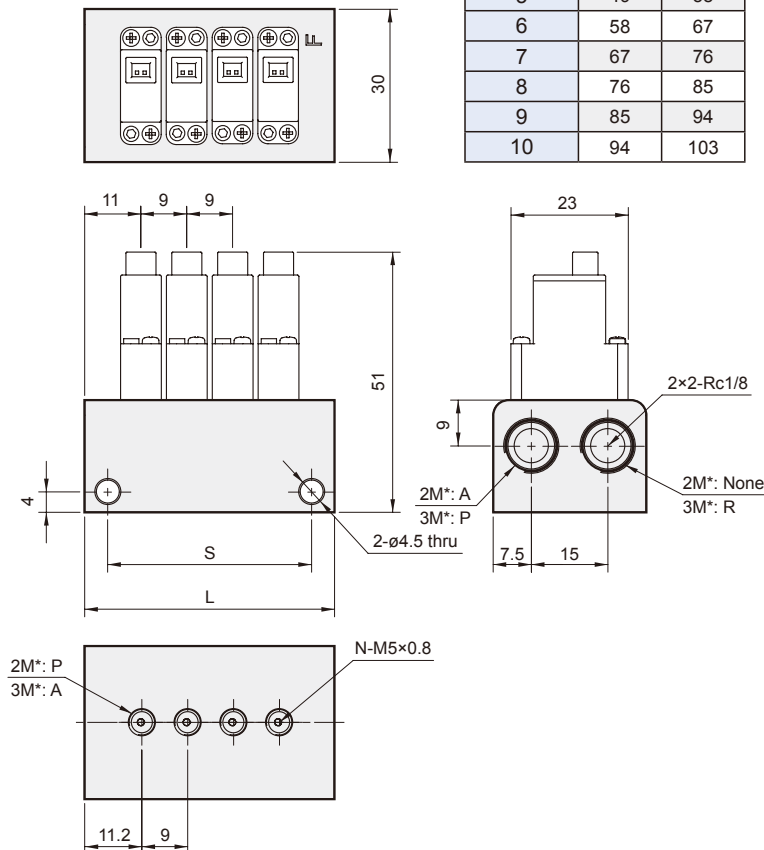
MVDA-80-*B1

Base



MVDA-80-*M*

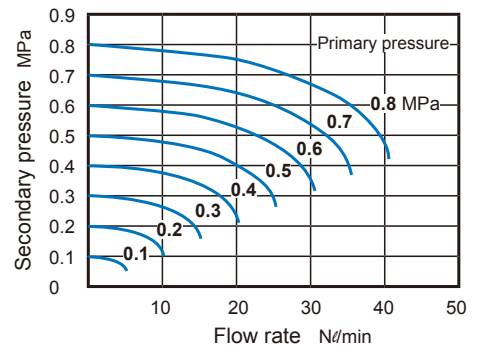
Manifold



No. of stations	S	L
2	22	31
3	31	40
4	40	49
5	49	58
6	58	67
7	67	76
8	76	85
9	85	94
10	94	103

Flow features

MVDA-80-2E1



MVDA-80-3E1

