

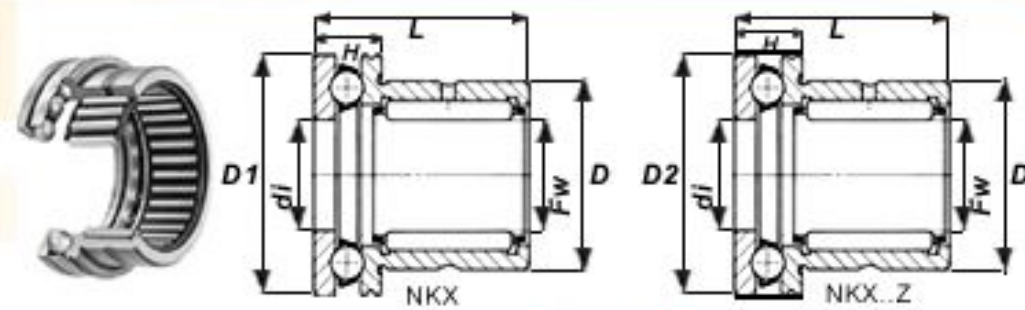


MACHINED NEEDLE ROLLER BEARINGS

Metric Dimensions

KHS

NKX & NKX..Z Series



Dimension Table of NKX & NKX..Z Series

Designation	Weight (g)	Designation	Weight (g)	Fw/di	Dimensions (mm)					Basic Dynamic Load Rating (Kgf)		Basic Static Load Rating (Kgf)	
					D	D1	D2	L	H	Radial	Axial	Radial	Axial
NKX 10	38.5	NKX 10 Z	40	10	19	24	25	23	9	840	1020	940	920
NKX 12	43.5	NKX 12 Z	45.5	12	21	26	27	23	9	940	990	1140	970
NKX 15	47.5	NKX 15 Z	48.5	15	24	28	29	23	9	1260	1010	1520	1120
NKX 17	54	NKX 17 Z	56	17	26	30	31	25	9	1310	1100	1660	1370
NKX 20	85.5	NKX 20 Z	89	20	30	35	36	30	10	1790	1450	2590	1870
NKX 25	131	NKX 25 Z	135	25	37	42	43	30	11	2040	2000	3280	2820
NKX 30	145	NKX 30 Z	151	30	42	47	48	30	11	2560	2080	4090	3380
NKX 35	169	NKX 35 Z	176	35	47	52	53	30	12	2750	2160	4710	3900
NKX 40	219	NKX 40 Z	227	40	52	60	61	32	13	3000	2750	5520	5220
NKX 45	264	NKX 45 Z	273	45	58	65	66.5	32	14	3170	2840	6130	5770
NKX 50	287	NKX 50 Z	297	50	62	70	71.5	35	14	4300	2930	8500	6490
NKX 60	417	-	-	60	72	85	-	40	17	4840	4220	10500	9680
NKX 70	555	-	-	70	85	95	-	40	18	5660	4390	12300	11100

KHS