

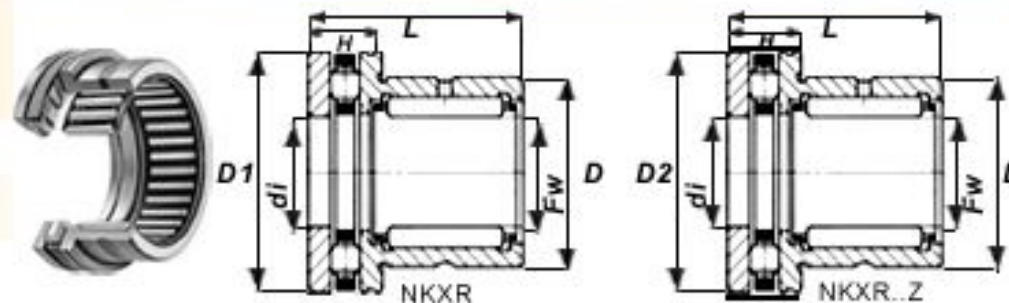


MACHINED NEEDLE ROLLER BEARINGS

Metric Dimensions

KHS

NKXR & NKXR..Z Series



Dimension Table of NKXR & NKXR..Z Series

Designation	Weight (g)	Designation	Weight (g)	Fw/di	Dimensions (mm)					Basic Dynamic Load Rating (Kgf)		Basic Static Load Rating (Kgf)	
					D	D1	D2	L	H	Radial	Axial	Radial	Axial
NKXR 15	54	NKXR 15 Z	55	15	24	28	29	23	9	1280	1040	1520	2430
NKXR 17	61	NKXR 17 Z	63	17	26	30	31	25	9	1310	1160	1660	2920
NKXR 20	94	NKXR 20 Z	97.5	20	30	35	36	30	10	1790	1930	2590	4970
NKXR 25	143	NKXR 25 Z	147	25	37	42	43	30	11	2040	2320	3280	6190
NKXR 30	160	NKXR 30 Z	166	30	42	47	48	30	11	2580	2790	4090	8260
NKXR 35	186	NKXR 35 Z	193	35	47	52	53	30	12	2750	2970	4710	9290
NKXR 40	240	NKXR 40 Z	248	40	52	60	61	32	13	3000	4250	5520	13600
NKXR 45	293	NKXR 45 Z	302	45	58	65	66.5	32	14	3170	4160	6130	13600
NKXR 50	315	NKXR 50 Z	325	50	62	70	71.5	35	14	4300	4410	8500	15100

KHS