

直流电动机 DC MOTORS

■ 120W □ 90mm



电机性能参数 Motor Performance Parameters

型号 Model	电压 Voltage	功率 Power	空载参数No-load Parameters		负载参数Load Parameters			电刷寿命 Brush Life	电机重量 Motor Weight
	V	W	转速Speed	电流Current	转速Speed	力矩Torque	电流Current		
			r/min	A	r/min	mN.m	A		
Z5D120-12□	12	120	3100	2.0 Max.	2500	458	15.0	2000	2.2
Z5D120-24□	24	120	3200	1.0 Max.	2600	441	7.0	2000	2.2
Z5D120-90□	90	120	3000	0.3 Max.	2600	441	2.0	2000	2.2

● 电机电压、功率及转速可在配件尺寸等条件下根据客户要求定制。
Motor voltage, power and speed will be customized according to his requestment under the allowed circumstance of adoptable dimension.

种类 Type

● 电动机 Motor

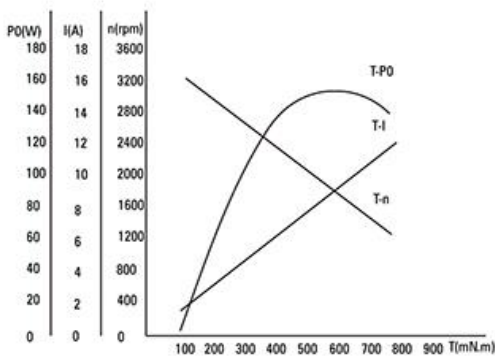
机型 Type	型号Model		
	齿轮轴型 Pinion Shaft	圆轴型 Round Shaft	圆轴型 Round Shaft
导线型 Lead Wire Type	Z5D120-12GN	Z5D120-12A	Z5D120-12A1
	Z5D120-24GN	Z5D120-24A	Z5D120-24A1
	Z5D120-90GN	Z5D120-90A	Z5D120-90A1

● 平行轴减速器 (另售) Parallel Shaft Gearhead (Sold Separately)

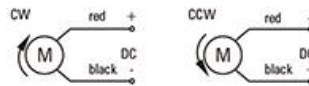
减速器种类 Gearhead Type	减速器型号 Gearhead Model	减速比 Gear Ratio
长寿命●低噪音 Long Life ● Low Noise	5GU□KB	3、3.6、5、6、7.5、9、12.5、15、18、25、30、36、50、60、75、90、100、120、150、180、200
	5GU10XK (中间减速器 Decimal Gearhead)	

● 减速器型号的□中为减速比的数值
Enter the gear ratio in the box | ■=within the model name

● 电机特性曲线 Characteristic Curve Of Motor



● 电机接线图 Wiring Diagram Of Motor



● 标准引出线长度:300mm±10,型号:UL1015规格:AWG16;电机引出线长度、型号在配件尺寸等条件允许的情况下可根据客户要求定制。
Stanclard length of lead wire:300mm±10, model: UL1015 type: AWG16; lead wire length, model will be customerised by dient requestmant under allowed circumstance of adoptable dimension.

■ 装有减速器时的容许转矩 Gear Motor-Torque Table

- 减速器另售·中间减速器另售。
Gearheads are sold separately. Decimal gearheads are not available.
- 减速品型号的■中为减速比的数值。
Enter the gear ratio in the box(■) within the model name.
- □色表示与电动机同一方向运转，其他则为相反方向。
The colored background □ indicates the same rotating direction of the motor while the rotating direction of others are opposite.
- 转速是以电动机的额定转速为基准除以减速比而算出来的数值。实际转速将随负载大小变化而比所示数值减少2%~20%左右。
The speed is calculated by dividing the motor's synchronous speed by the gear ratio. The actual speed is 2%~20% less than the displayed value, depending on the size of the load.
- 希望以大于下表的减速比进行进一步减速时，可在电动机与减速机之间安装减速比为10的中间减速机。
这时的容许转矩为20N·m。
To reduce the speed beyond the gear ratio in the table, attach a decimal gearhead(gear ratio:10)between the gearhead and motor. In that case, the permissible torque is 20N·m.

■ 容许力矩单位 Allowance Torque Unit : 上段 Upside (N.m) /下段 Belowside (kgf.cm)

型号 Type	减速比 Gear Ratio	3	3.6	5	6	7.5	9	10	12.5	15	18	20	25	30	36	40	50	60	75	90	100	120	150	180	200
Z5D120-24GU	转速 Speed r/min	867	722	520	433	347	289	260	208	173	144	130	104	87	72	65	52	43	35	29	26	22	17	14	13
	5GU□KB	1.07	1.29	1.79	2.14	2.68	3.21	3.21	4.02	4.82	5.78	5.78	7.23	8.68	10.4	11.6	14.5	17.4	20.0	20.0	20.0	20.0	20.0	20.0	20.0
		10.5	12.6	17.5	21.0	26.2	31.5	31.5	39.4	47.2	56.7	56.7	70.9	85.0	102	113	142	170	200	200	200	200	200	200	200

■ 容许悬挂负载·容许轴向负载 To Allow The Hoisting Of The Load Allow Axial Load

电动机 (圆轴型) →272页

Motor(Round Shaft) →P272

减速机→272页

Gearhead→P272

■ 减速机的容许负载惯性惯量 J Permissible Load Inertia J For Gearhead

→272页→P272

● 圆轴型的转轴部分 Shaft Section Of Round Shaft Type

除重量及轴部外电动机外形与齿轮轴型相同。
Excluding weight and the shaft section motor shape are the same as those of the pinion shaft type.

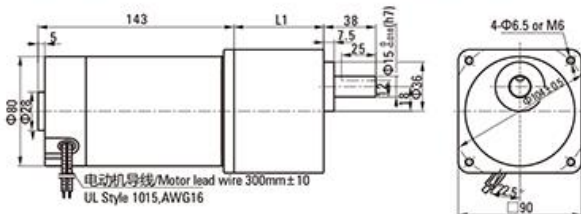
■ 外形图 (单位 mm) Dimensions(Unit mm)

减速机附有安装用螺丝Mounting screws are included with gearhead.

● 导线型 Lead Wiring Type

重量 Weight : 电动机 Motor : 2.2kg

减速机 Gearhead : 1.5kg



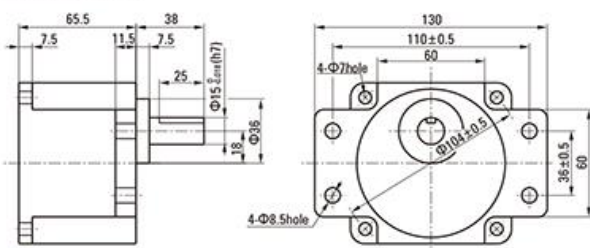
电动机型号 Motor Model	减速机型号 Gearhead Model	减速比 Gear Ratio	L1
Z5D120-12GU Z5D120-24GU Z5D120-90GU	5GU□KB	3~200	65.5

● 减速机型号的□中为减速比的数值 Enter the gear ratio in the box (□) within the model name

● 凸缘安装型减速机 Flange Mounting Reducer

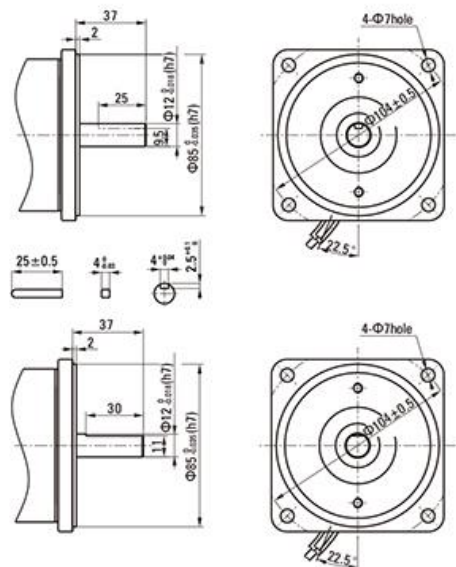
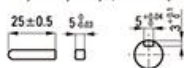
可安装在GU齿轮轴型上Can be mounted on GU type gear shaft5GU□K

重量Weight:1.5kg



● 键·键槽 (减速机附件)

Key·Keyway (The Key Is Included With The Gearhead)



● 中间减速器 Decimal Gearhead

可安装在GU齿轮轴型上Can be connected to GU pinion shaft type
电动机外形与齿轮轴型相同

5GU10X

重量 Weight : 0.651kg

