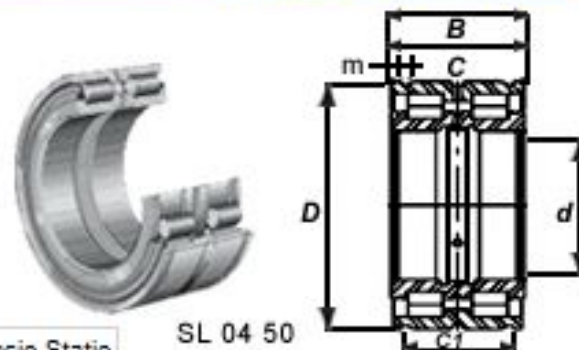




# CYLINDRICAL ROLLER BEARINGS

Metric Dimensions

## SL 04 50 Series



Dimension Table of SL 04 50 Series

Designation	Weight (Kg)	Dimensions (mm)						Basic Dynamic Load Rating (kgf)	Basic Static Load Rating (kgf)
		d	D	B	C	C1	m		
SL04 5004	0.2	20	42	30	29	24.7	1.8	4150	5000
SL04 5005	0.24	25	47	30	29	24.7	1.8	4550	5900
SL04 5006	0.37	30	55	34	33	28.2	2.1	5200	6900
SL04 5007	0.48	35	62	36	35	30.2	2.1	6500	9000
SL04 5008	0.56	40	68	38	37	32.2	2.7	8200	11300
SL04 5009	0.7	45	75	40	39	34.2	2.7	9800	14100
SL04 5010	0.76	50	80	40	39	34.2	2.7	10300	15400
SL04 5011	1.18	55	90	46	45	40.2	3.2	11800	18000
SL04 5012	1.26	60	95	46	45	40.2	3.2	12300	19500
SL04 5013	1.33	65	100	46	45	40.2	3.2	12800	20900
SL04 5014	1.87	70	110	54	53	48.2	4.2	17200	27000
SL04 5015	1.96	75	115	54	53	48.2	4.2	19800	30500
SL04 5016	2.71	80	125	60	59	54.2	4.2	20800	33500
SL04 5017	2.83	85	130	60	59	54.2	4.2	21500	36000
SL04 5018	3.71	90	140	67	66	59.2	4.2	31000	52000
SL04 5019	3.88	95	145	67	66	59.2	4.2	31500	54000
SL04 5020	3.95	100	150	67	66	59.2	4.2	33000	55000
SL04 5022	6.57	110	170	80	79	70.2	4.2	39500	68000
SL04 5024	7.04	120	180	80	79	71.2	4.2	41000	74000
SL04 5026	10.5	130	200	95	94	83.2	4.2	55000	98000
SL04 5028	11.1	140	210	95	94	83.2	5.2	63000	112000
SL04 5030	13.3	150	225	100	99	87.2	5.2	71000	127000
SL04 5032	16.6	160	240	109	108	95.2	5.2	74000	137000
SL04 5034	22.6	170	260	122	121	107.2	5.2	96000	176000
SL04 5036	30.1	180	280	136	135	118.2	5.2	114000	214000
SL04 5038	31.5	190	290	136	135	118.2	5.2	117000	223000
SL04 5040	40.8	200	310	150	149	128.2	6.3	137000	265000
SL04 5044	52.5	220	340	160	159	138.2	6.3	158000	310000
SL04 5048	56	240	360	160	159	138.2	6.3	165000	335000
SL04 5052	84.5	260	400	190	189	162.2	6.3	238000	470000
SL04 5056	90	280	420	190	189	163.2	7.3	260000	520000
SL04 5060	126	300	460	218	216	185.2	7.3	300000	590000