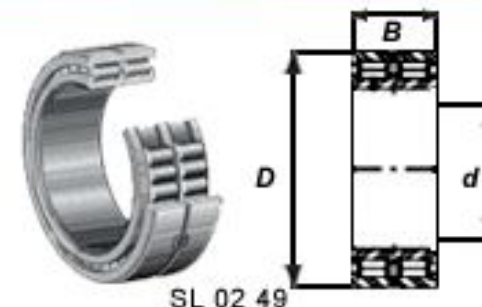




# CYLINDRICAL ROLLER BEARINGS

Metric Dimensions

SL 02 49 Series



SL 02 49

Dimension Table of SL 02 49 Series

Designation	Weight (Kg)	Dimensions (mm)			Basic Dynamic Load Rating (kgf)	Basic Static Load Rating (kgf)
		d	D	B		
SL02 4912	0.47	60	85	25	6700	11500
SL02 4914	0.75	70	100	30	10300	17800
SL02 4916	0.85	80	110	30	10900	19900
SL02 4918	1.3	90	125	35	14900	28000
SL02 4920	1.9	100	140	40	19100	37000
SL02 4922	2.1	110	150	40	19800	40000
SL02 4924	2.85	120	165	45	22200	44000
SL02 4926	3.8	130	180	50	26000	51000
SL02 4928	4.1	140	190	50	27000	55000
SL02 4930	6.45	150	210	60	41000	82000
SL02 4932	6.8	160	220	60	42500	88000
SL02 4934	7.1	170	230	60	43500	93000
SL02 4936	10.5	180	250	69	57000	120000
SL02 4938	10.9	190	260	69	58000	127000
SL02 4940	15.3	200	280	80	69000	148000
SL02 4944	16.7	220	300	80	72000	159000
SL02 4948	17.9	240	320	80	74000	171000
SL02 4952	31.2	260	360	100	111000	249000

KHS