

# MAL501 series

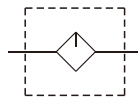
## AIR UNIT (L.UNIT)



Mindman



### Symbol



### Specification

Model	MAL501	
Bore No.	20A	25A
Port size	3/4	1
Medium	Air	
Operating pressure range	PC, Nylon bowl: 0.05~1 MPa	
	Metal bowl: 0.05~1.5 MPa	
Proof pressure	PC, Nylon bowl: 1.5 MPa	
	Metal bowl: 2 MPa	
Ambient temperature	- 5~+60°C (No freezing)	
Lubricating oil capacity	200 c.c	
Min. Flow for oil drip	25 ℓ/min	33 ℓ/min
Recommended lubricating oil	Turbine oil ISO-VG32	
Weight	PC, Nylon bowl: 1260 g	
	Metal bowl: 1380 g	

### Order example

MAL501 - 20A - □ - B - □

MODEL

PORT SIZE

BOWL

PORT THREAD

Blank: Rc thread  
G: G thread  
NPT: NPT thread

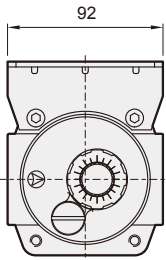
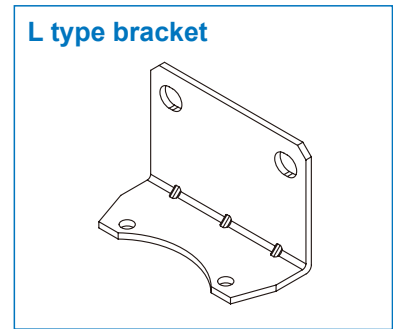
Blank: Without bracket  
B: L type bracket

20A: 3/4  
25A: 1

Blank: PC bowl  
N: Nylon bowl  
M: Metal bowl

### Option accessories

#### L type bracket



### MAL501-M

Metal bowl

### Flow feature

